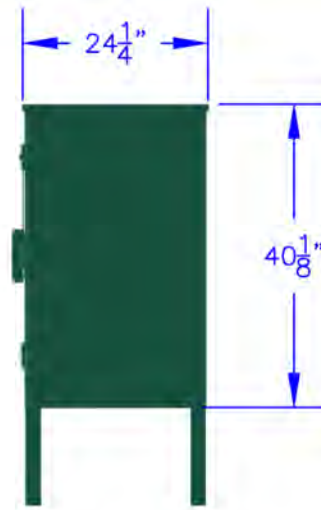


FRONT VIEW



RIGHT VIEW

Campsite Food Storage Locker

Heavy duty **38** cubic foot storage locker designed for safe, secure and convenient food storage in outdoor parks and recreation areas.

Includes double doors with center divider for two separate storage compartments. Includes 2 Paddle Latches with Safety Release and Cover. Components, layout and access are designed to be ADA Compliant, easy and safe to operate.

Optional Features Include:

1. **Locking Hasp with Latch Hook & Cable**
2. **Fixed Shelf with 10" of Vertical Space**
3. **Mount Post(s) for 36" Deep Ground Anchor**

Made in America with heavy duty components, hinges and high quality 14-gauge steel for main body/shelves & 12-gauge steel for the top. Mounting foot plates included for secure ground anchors.

Vibrant finish using industry leading UV and corrosion resistant, weather proof powder coat offered in the colors shown:



ISOMETRIC VIEW

FOREST GREEN



BLUE



GRAY



BURGUNDY



TAN



WHITE



BROWN



BEARICUDA BINS - PO Box 56, 3 West St.,
Ste 3E, Litchfield, CT 06759-0056 877-232-7428
www.bearicuda.com

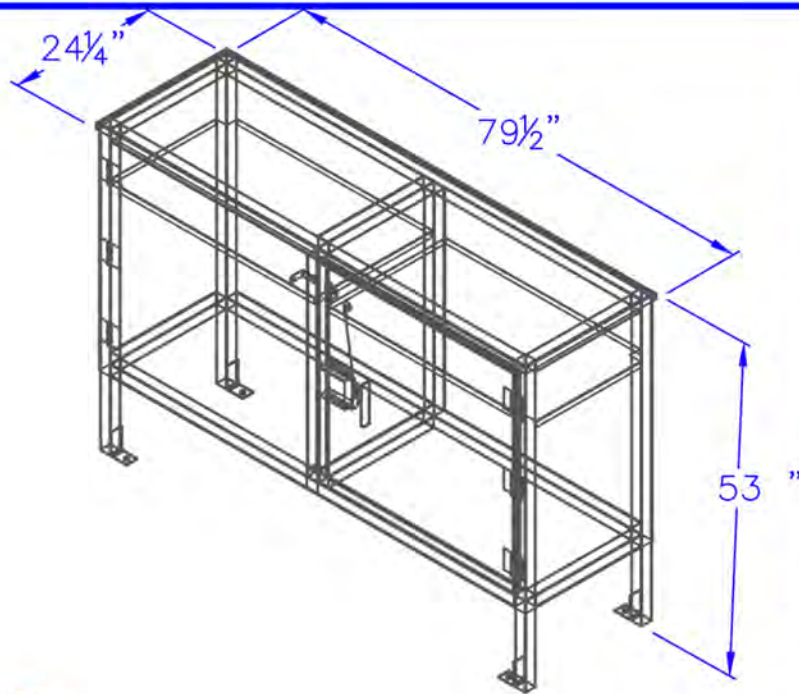
PRODUCT: **LOC138**

DESCRIPTION: **Whistler Storage locker LOC138**

DETAILS: **SHOWN WITH PADDLE LATCH, LOCKING HASP & SHELF OPTION**

SCALE: **1:25**

DATE: **06-01-23**

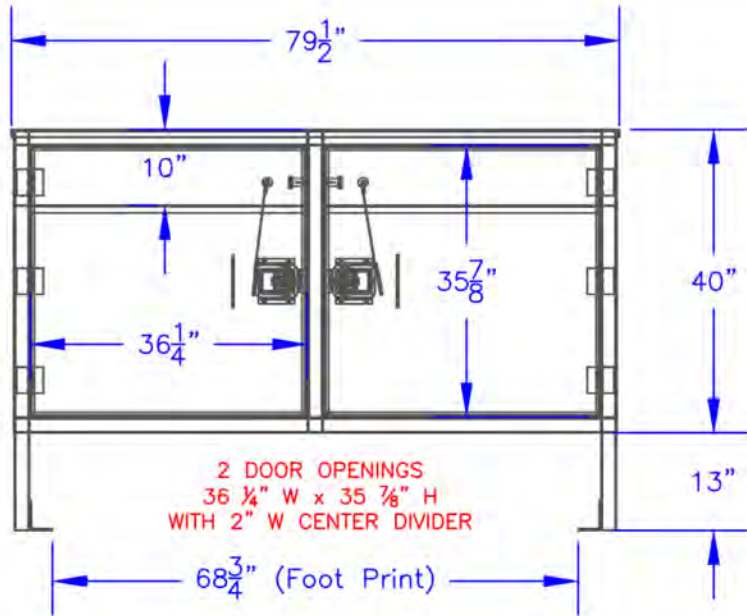


ISOMETRIC VIEW

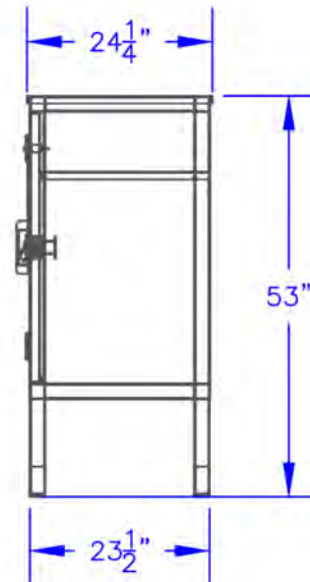
38 Cubic Foot Campsite Food Storage Locker

Fabrication Specifications

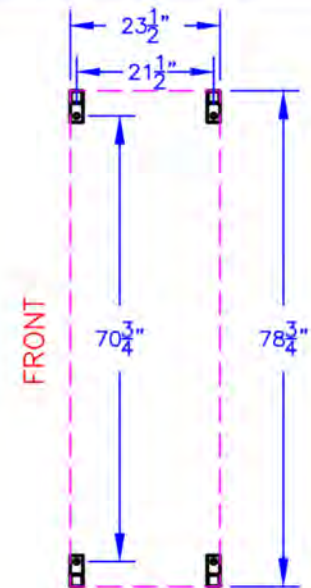
DIMENSIONS	79 1/2" Width x 24 1/4" Depth x 53" Height
INTERIOR SPACE	38 Cubic Feet (Approximate)
WEIGHT	625 Lbs. (Approximate - w/o Hardware)
FRAME	14 GA HR Steel 2" x 2" Square Tube
BODY & SHELVES	14 GA HR Steel
DOOR(S)	14 GA HR Steel
TOP	12 GA HR Steel
CATCHES & HASPS	10 GA HR Steel
HINGES	1/4" PLATE



FRONT VIEW



RIGHT VIEW



MOUNTING SPECS



FOREST GREEN



GRAY



BROWN



BLUE

